

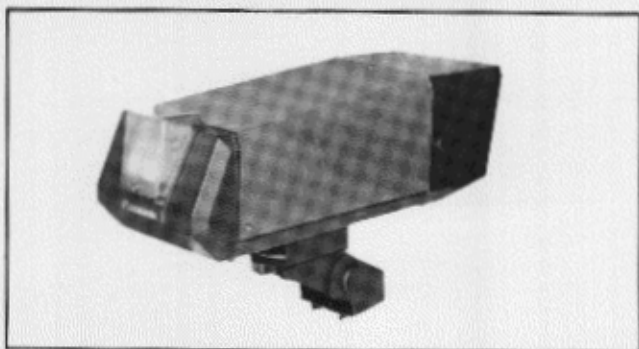
Instructions

5" Electronic Viewfinder WV-VF65B

for WV-6000, WV-V3, WV-200CLE and WV-F300 Series

Panasonic®

Before attempting to connect or operate this product, please read these instructions completely.



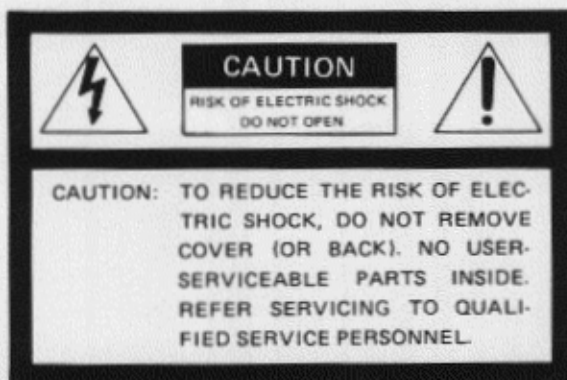
PREFACE

Panasonic's 5" electronic viewfinder WV-VF65 is used for converting ENG color camera WV-6000, WV-V3, WV-200CLE and WV-F300 to the studio cameras.

FEATURES

1. Large 5" screen (4.5" actual image size)
2. Tiltable CRT viewfinder for easy studio viewing.
3. Zebra pattern (excessively bright area turns to zebra pattern) on the CRT screen for easy adjustment.
4. Peaking ON/OFF switch for easy focusing of picture in a weakly illuminated scene.

NOTE : Refer to the operating instructions of WV-6000, WV-V3, WV-200CLE and WV-F300 series for the detail.



SA 1965

The lightning flash with arrowhead symbol, within an equilateral triangle, is intended to alert the user to the presence of uninsulated "dangerous voltage" within the product's enclosure that may be of sufficient magnitude to constitute a risk of electric shock to persons.



SA 1966

The exclamation point within an equilateral triangle is intended to alert the user to the presence of important operating and maintenance (servicing) instructions in the literature accompanying the appliance.

The serial number of this product may be found on the top cover of the unit.

You should note the serial number of this unit in the space provided and retain this instructions as a permanent record of your purchase to aid identification in the event of theft.

Model No. WV-VF65B

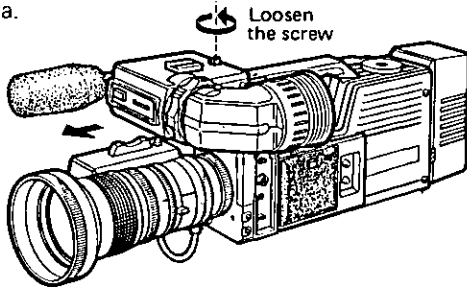
Serial No. _____

WARNING: TO PREVENT FIRE OR SHOCK HAZARD, DO NOT EXPOSE THIS APPLIANCE TO RAIN OR MOISTURE.

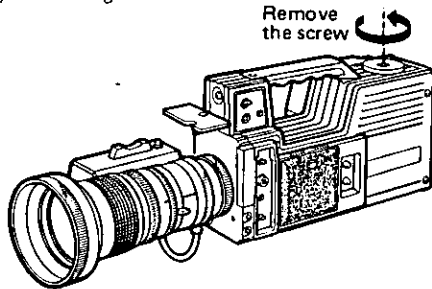
INSTALLATION

A. For WV-6000

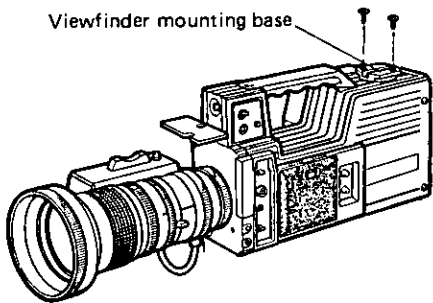
1. Disconnect the mic connector. Loosen the screw on top of the camera. Pull out the 1.5" viewfinder together with the microphone by sliding out toward the front of the camera.



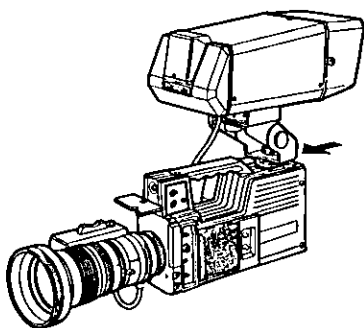
2. Remove the shoulder pad and the battery.
3. Remove the viewfinder mounting cover from top of the camera by removing the screw.



4. Attach the round viewfinder mounting base (supplied) to top of the camera with two screws.

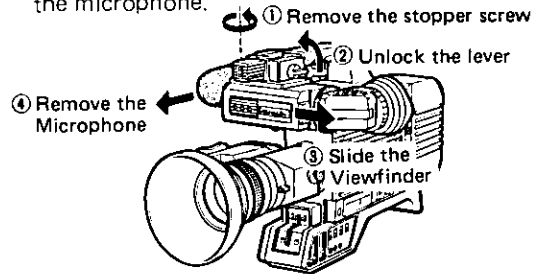


5. Slide the viewfinder adjusting angle into the mounting base and tighten the fixing knob to secure the viewfinder. Connect the viewfinder connector.

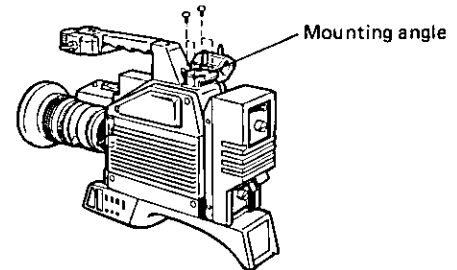


B. For WV-V3

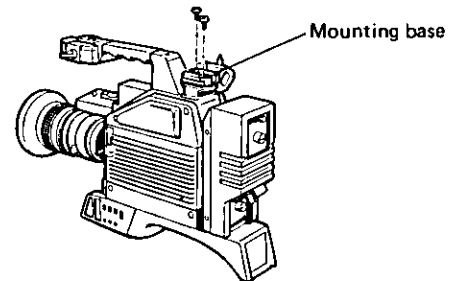
1. Disconnect the 1.5" viewfinder connector, remove the screw for the stopper from the viewfinder and unlock the viewfinder lock lever. Remove the viewfinder by sliding it out from the slide unit. Remove the microphone.



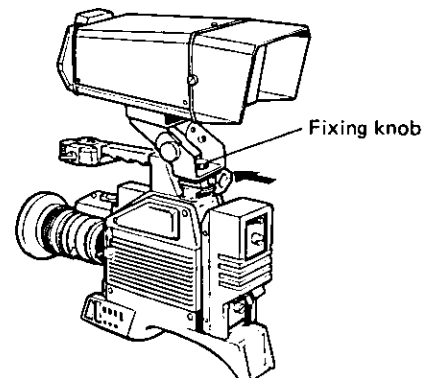
2. Remove four screws from the top of camera. Attach the viewfinder mounting angle (supplied) on the camera with the removed screws.



3. Attach the round viewfinder mounting base (supplied) to the mounting angle with two screws.

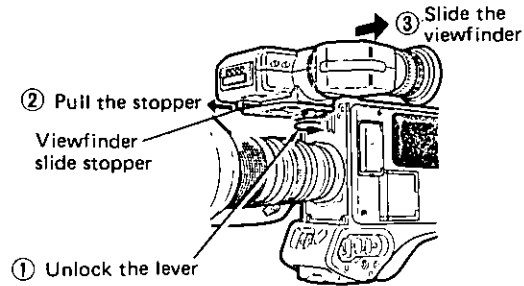


4. Slide the viewfinder adjusting angle into the mounting base and tighten the fixing knob to secure the viewfinder. Connect the viewfinder connector.

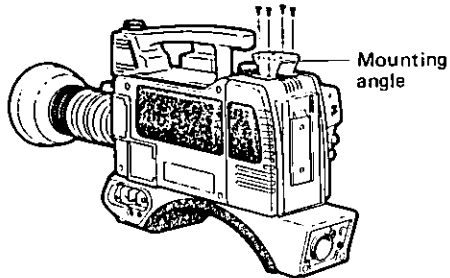


C. For WV-200CLE and WV-F300

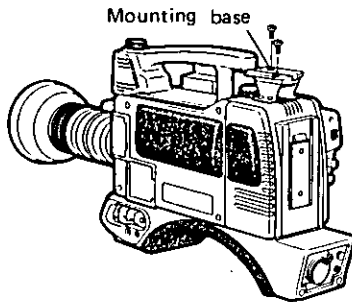
1. Disconnect the 1.5" viewfinder connector and turn the viewfinder lock lever counterclockwise to unlock it. While pulling the viewfinder slide stopper forward, remove viewfinder by sliding it out from the slide unit. Remove the microphone.



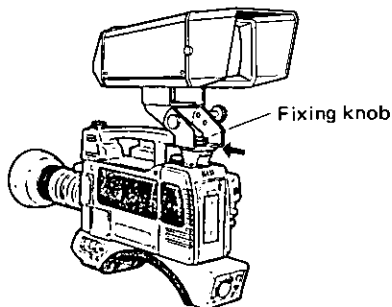
2. Remove four screws from the top of camera. Attach the viewfinder mounting angle (supplied) on the camera with the removed screws.



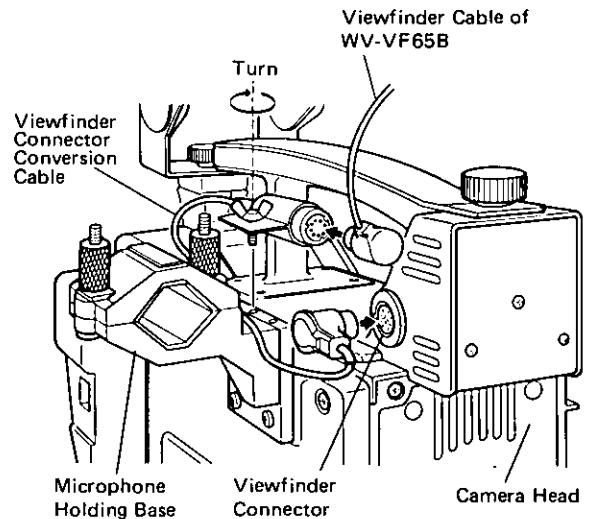
3. Attach the round viewfinder mounting base (supplied) to the mounting angle with two screws.



4. Slide the viewfinder adjusting angle into the mounting base and tighten the fixing knob to secure the viewfinder. Connect the viewfinder cable.



Note : When connecting the viewfinder cable of WV-VF65B to the viewfinder connector on the camera, use the viewfinder connector conversion cable (supplied) in between. After connection, attach the conversion cable to the microphone holding base by turning the wing screw.



SPECIFICATIONS

Visual Size (underscan) :	4.5'' actual visual size, measured diagonally	
Power Source :	+12V DC (Supplied from camera head)	
Power Consumption :	13.2 watts (12V DC, 1.1A)	
Horizontal Resolution :	500 lines at center	
Switches :	Tally ON/OFF, Peaking ON/OFF	
Controls :	Contrast, Brightness	
Display :	NTSC signal	
Indicator :	Level Indicator (Zebra pattern) Tally Indicator Tally Lamp	
Dimensions :	6-1/8'' (W) x 8-3/8'' (H) x 14-1/4'' (D) 156(W) x 213(H) x 362(D)mm	
Weight :	6.3 lbs (2.85 kg)	
Standard Accessories :	Viewfinder mounting angle (for WV-V3 and WV-F300)	1 pc
	Viewfinder mounting base	1 pc
	Tally card	1 set

Weight and dimensions shown are approximate.
Specifications are subject to change without notice.

Panasonic Industrial Company

Division of Matsushita Electric Corporation of America

PROFESSIONAL/INDUSTRIAL VIDEO

Executive Offices: Two Panasonic Way, Secaucus, NJ 07094

Regional Offices

Northeast: 50 Meadowland Parkway, Secaucus, NJ 07094 (201) 348-7620
Southeast: 1854 Shackelford Ct. Suite 115, Norcross, GA 30093 (404) 925-6835
Midwest: 425 E. Algonquin Rd., Arlington Heights, IL 60005 (312) 981-4826
Southwest: 1825 Walnut Hill Lane, P.O. Box 5246, Irving, TX 75062 (214) 580-0518
Western: 6550 Katella Ave., Cypress, CA 90630 (714) 895-7200
Northwest: 1200 Westlake Ave., N., Suite 508, Seattle, WA 98109 (206) 285-8883

PANASONIC HAWAII INC.

91-238 Kauhii Street Ewa Beach P.O. Box 774 Honolulu, Hawaii 96808-0774 (809) 682-2851

MATSUSHITA ELECTRIC OF CANADA LIMITED

5770 Ambler Drive, Mississauga, Ontario, Canada L4W 2T3 (416) 624-5010

PANASONIC SALES COMPANY

DIVISION OF MATSUSHITA ELECTRIC OF PUERTO RICO, INC.

Ave 65 de Infanteria, Km. 9.7, Victoria Industrial Park, Carolina, Puerto Rico 00630 (809) 750-4300